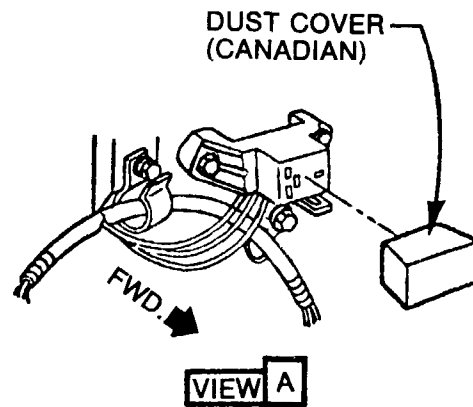
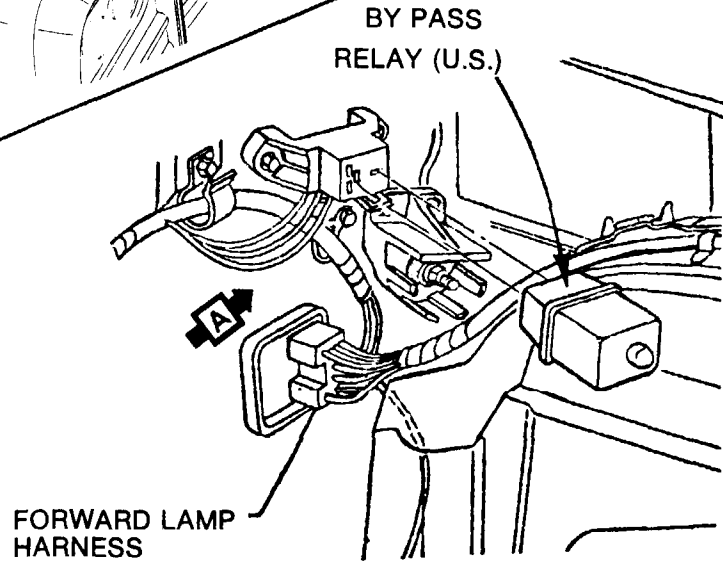
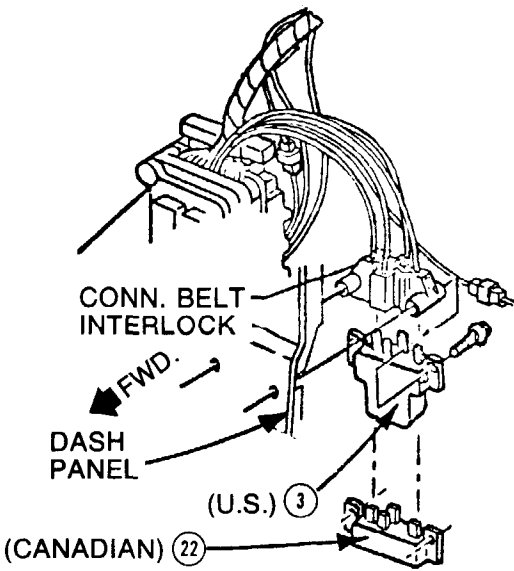
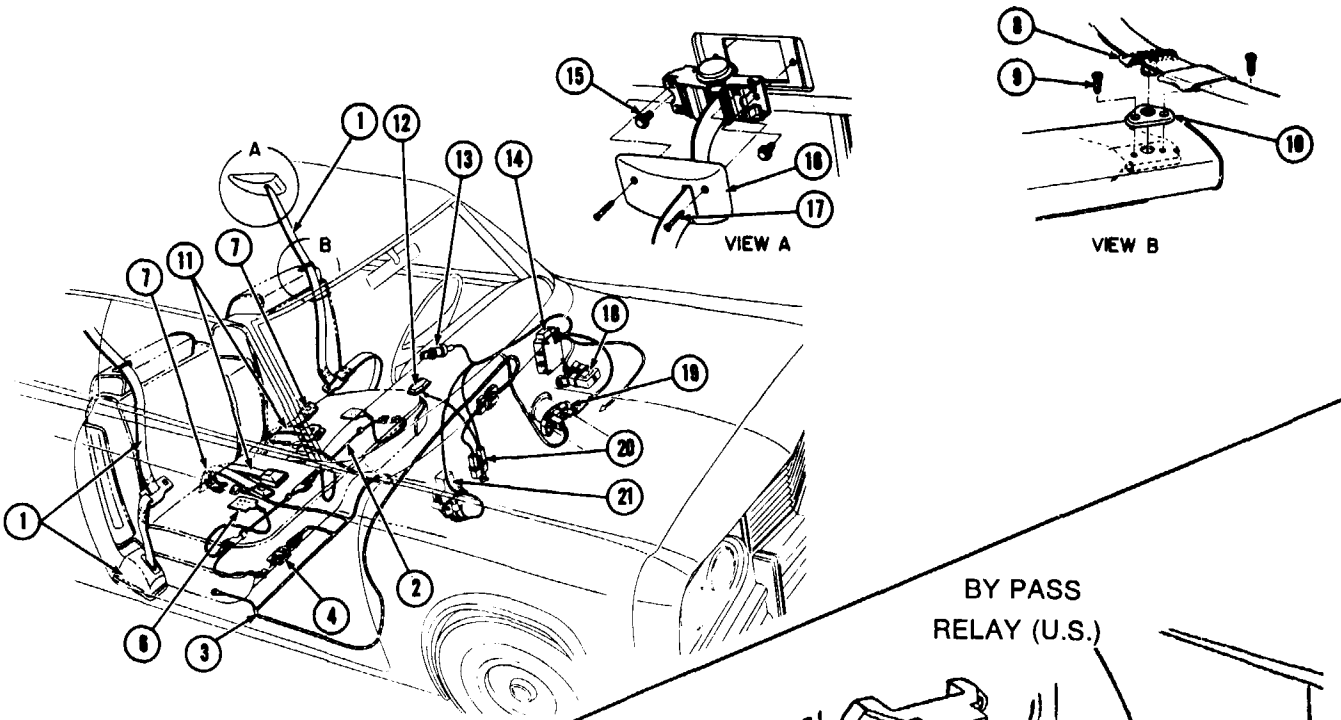


GM

FIREBIRD
PARTS CATALOGUE

GROUP 13.000

BODY WIRING

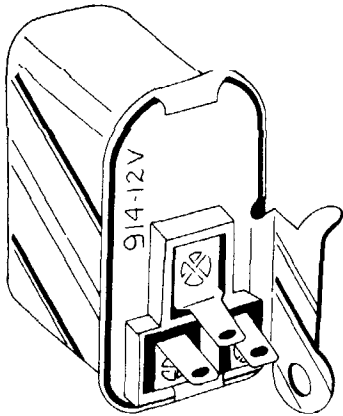


1974 SEAT BELT INTERLOCK SYSTEM

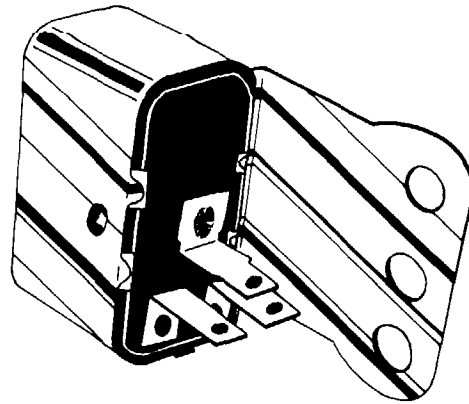
1974 SEAT BELT INTERLOCK SYSTEM

Key	Part Name	Group No.
1	BELT, Shoulder Retractor Side	14.875
2	HARNESS ASM., Ignition Interlock System—In Seat	13.090
3	HARNESS ASM., Ignition Interlock—On Front End	13.090
4	LOGIC ASM., Ignition Interlock System	13.095
5	HARNESS ASM., Seat Sensor Jumper—On Under Body	13.090
6	SWITCH ASM., Sensor Belt Warning	13.095
7	BELT, Passenger & Driver Side	14.875
8	GUIDE ASM., Seat Back Shoulder Strap	14.875
9	SCREW, Escutcheon to Seat Back	N.S.
10	ESCUTCHEON, Seat Back Shoulder Strap	14.875
11	BELT PKG., Front Seat Center	14.875
12	LAMP, Seat Belt Warning (Part of Cluster)	N.S.
13	SWITCH ASM., Ignition	2.188
14	HARNESS ASM., Inst. Panel	2.480
15	SCREW, Strap Retractor to Roof Inner Panel	14.875
16	COVER, Shoulder Strap Retractor	14.875
17	SCREW, Retractor Cover to Retractor	N.S.
18	CONTROL ASM., Seat Belt Starter Motor Interlock System	2.100
19	SWITCH ASM., Trans. Neutralizer & Safety	4.054
20	BUZZER ASM., Seat Belt Warning	2.195
21	RELAY ASM., Seat Belt Starter Motor Interlock System	13.095
22	CONNECTOR, Seat Belt Interlock Relay By-Pass	14.875

POWER WINDOW RELAYS

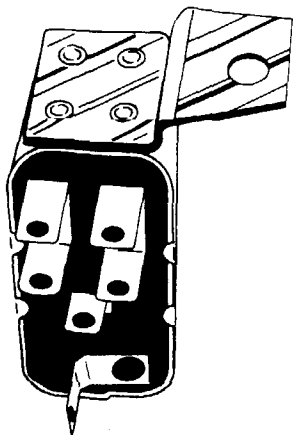


1967 / ALL
1115914
GR. 13.095



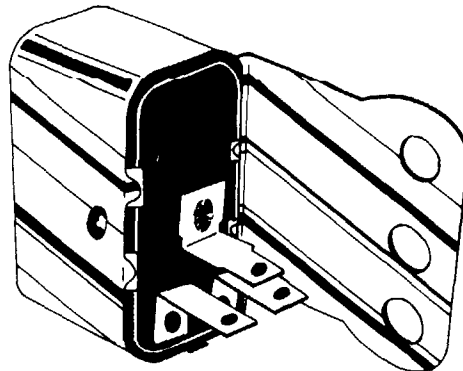
1968-75 / ALL
7728426
GR. 13.095

SEAT ADJUSTER MOTOR RELAY



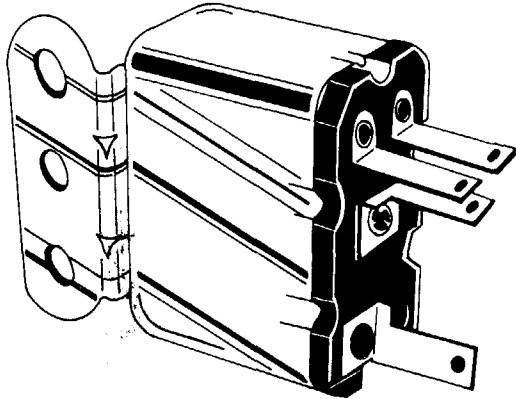
1968-70 / ALL
5717528
GR. 13.095

**ELECTRIC SEAT BACK, DOOR LOCK
AND POWER WINDOW RELAY**



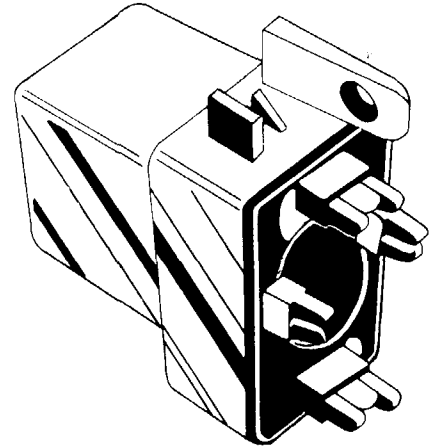
1970 / ALL-EXC POWER WINDOWS
1972-74 / ALL
7728426
GR. 13.095

SEAT BELT WARNING RELAY



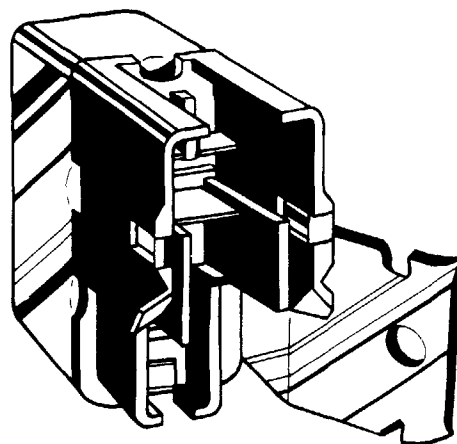
1972-76/ALL ST
494882
GR. 13.095

SEAT BELT TO STARTER MOTOR INTERLOCK RELAY



1974-75/ALL
1997426
GR. 13.095

POWER WINDOW AND SUN ROOF



1976/ALL
1721119
GR. 13.095